

# HI-SCAN™ 7555si

HEIMANN X-RAY TECHNOLOGY



## Feature Highlights

- New X-ray generator with optimized spectrum
- New HiTraX II system platform with extended scope of services
- High resolution image display with doubled resolution
- Up to 37 mm steel penetration
- Wire detectability up to AWG 41

HI-SCAN 7555si is a consequent advancement of HI-SCAN 6040i, with more than 6000 installations worldwide the most successful X-ray inspection system in its class.

HI-SCAN 7555si, despite all similarities, is by far more than a conventional X-ray system with a facelift. Crucial technological innovations concerning X-ray sensor and image processing technologies were part of the R&D process.

HI-SCAN 7555si is equipped with an advanced multi-energy X-ray generator, a new generation of electronics plus a completely novel high resolution detector line. Due to this optimized technology, the system demonstrates performance rates unachieved before.

HI-SCAN 7555si produces extremely detailed X-ray images, which impress by a more than doubled number of real, physical pixels. The drastically enhanced image resolution of the scanned objects represents a decisive advantage for image evaluations in security areas.

HI-SCAN 7555si additionally has a higher tunnel opening and therefore can scan objects, whose sizes exceed standard dimensions for hand luggage in the aviation industry.

HI-SCAN 7555si - increased security by advanced technology.

## General Specifications

<b>Tunnel dimensions</b>	755 (W) x 555 (H) [mm] • 29.7" (W) x 21.9" (H)
<b>Max. object size</b>	750 (W) x 550 (H) [mm] • 29.5" (W) x 21.7" (H)
<b>Conveyor height</b> <sup>1)</sup>	approx. 755 mm (29.7")
<b>Conveyor speed at mains frequency 50 Hz / 60 Hz</b>	approx. 0.2 / 0.24 [m/s]
<b>Max. conveyor load (evenly distributed)</b> <sup>5)</sup>	160 kg (352 lbs)
<b>Resolution (wire detectability)</b> <sup>2)</sup>	standard: 40 AWG (0.08 mm) • typical: 41 AWG (0.07 mm)
<b>Penetration (steel)</b> <sup>2)</sup>	standard: 35 mm • typical: 37 mm
<b>External dose rate</b>	≤ 2 µSv/h (0,2 mrem)
<b>Film safety</b>	Guaranteed even for high speed films up to ISO 1600 (33 DIN)
<b>Duty cycle</b>	100 %, no warm-up procedure required

## X-ray Generator

<b>Anode voltage • cooling</b>	160 kV cp • hermetically sealed oil bath
<b>Beam direction</b>	diagonal

## Image Generating System

<b>X-ray converter</b>	L-shaped detector line, high resolution
<b>Grey levels stored</b>	4096
<b>Image presentation</b>	B/W, color
<b>Digital video memory</b>	1280 x 1024 / 24 bit
<b>Image evaluation functions</b>	VARI-MAT, O <sup>2</sup> , OS, HIGH electronic zoom: stepless enlargement up to 64-times
<b>Monitor</b>	Flat Panel LCD Monitor

## Additional Features

<b>Features</b>	fading-in of date/time, luggage counter, user id-number, luggage marking system (acoustic), display of operating mode, REVIEW-feature (to recall previously visible image areas), zoom overview, free programmable keys, USB 2.0 interface, stepless zoom
<b>Options</b>	X-ACT, HI-TIP, HI-SPOT, SEN, XPlore, IMS (Image Store System - stores up to 100,000 images), Xport

## Installation Data

<b>X-ray leakage</b>	meets all applicable laws and regulations with respect to X-ray emitting devices.
<b>CE-labelling</b>	in compliance with directives 2004/108/EC, 2006/42/EC, 2006/95/EC
<b>Sound pressure level</b>	< 70 dB(A)
<b>Operating-/ storage temperature</b>	0° - 40°C / -20°C - +60°C
<b>Humidity</b>	5% - 95% (non-condensing)
<b>Power supply</b> <sup>3)</sup>	standard: 230 VAC or 120 VAC +10% / -15% • 50 Hz / 60 Hz ± 3 Hz
<b>Power consumption</b>	approx. 0.8 kVA
<b>Protection class system/ keyboard</b>	IP 20 / IP 43
<b>Dimensions • Weight</b> <sup>4)</sup>	2120 (L) x 985 (W) x 1445 (H) [mm] • approx. 580 kg 83.5" (L) x 38.8" (W) x 56.9" (H) • approx. 1287.7 lbs
<b>Mechanical construction</b>	steel construction with steel panels, mounted on rollers standard color(s): RAL 7016 (dark grey) / B11-W1 (blue)

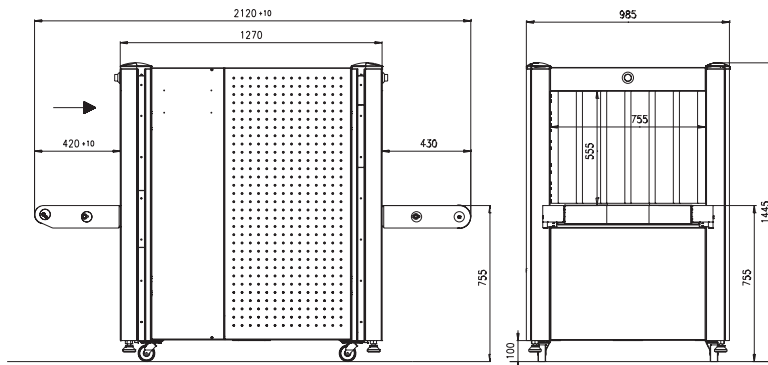
<sup>1)</sup> approx. values (adjustable)

<sup>2)</sup> proprietary quality management test piece: steel step wedge, CU wires, belt speed 0.2 m/s

<sup>3)</sup> different values optional

<sup>4)</sup> without control desk, keyboard, monitor(s) etc.

<sup>5)</sup> measured at ambient temperature of 20°C and nominal voltage



For product information, sales or service, please go to [www.smithsdetection.com/locations](http://www.smithsdetection.com/locations)

Smiths Heimann GmbH, Im Herzen 4, 65205 Wiesbaden, Germany  
Modifications reserved. 95589598 25/10/2017 © Smiths Detection Group Ltd. - In some cases, the figures contain options  
HI-SCAN is a trademark of Smiths Detection Group Ltd.