

# SSG



The SSG is a highly versatile self-closing, non-locking, pedestrian gate that can be field configured to swing either bi-directionally or in a single direction (either entry or exit). The SSG is suitable for all types of pedestrian flow control applications.

The gate opens easily with minimal force. A reliable, gravity-assisted, closure brings the gate arm smoothly back to the closed position.

SSG gates provide 36" of passage width and can be installed stand-alone, or in conjunction with Alvarado's modular post and rail and/or turnstiles. Railing outlets can be added to the hinge post to accept Alvarado 1.75" railing.

The SSG is fabricated from stainless steel polished to a #4 satin finish.



## TYPICAL INSTALLATION SITES

- Supermarkets
- Liquor & Convenience Stores
- Schools & Libraries
- Amusement Parks
- Airports

## Why Alvarado?

Alvarado is the leading manufacturer of pedestrian gates. Since its founding in 1956, Alvarado equipment has been installed in thousands of locations throughout the world.

Our superior product quality, integration expertise and industry leading service and support are just a few reasons that many of the world's most respected companies use our products again and again.

### KEY FEATURES

### BENEFITS

Field Configurable Swing Direction

Field configurable to swing in a single direction or bi-directionally.

Wide Opening

Provides a wide 36" passage width.

Easy to Open

Gate opens with less than 3 lbs. of force.

Smooth Closing

Reliable gravity-assisted closure closes the gate smoothly.

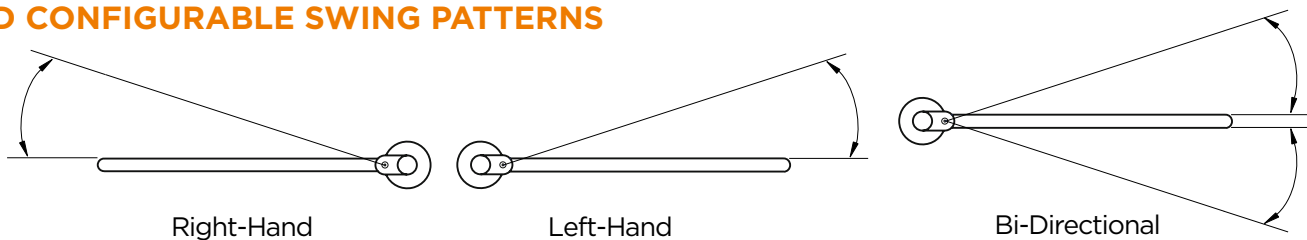
Attach Signs

Gate cross straps are spaced to accept 8"H x 12"W signs.

Integrates with Other Alvarado Products

Install post outlets on gate and/or use with Alvarado, modular post and railing and turnstiles.

### FIELD CONFIGURABLE SWING PATTERNS



### COMPLIMENTARY PRODUCTS

Our post and rail, as well as our turnstiles are ideal companions to our pedestrian gates. They can fill gaps in your installation, direct pedestrians and provide an integrated appearance.



**POST OUTLETS** - Optional rail outlets can be added to the gate hinge-post to accept Alvarado 1.75" railing. Post outlets may be ordered factory-installed.

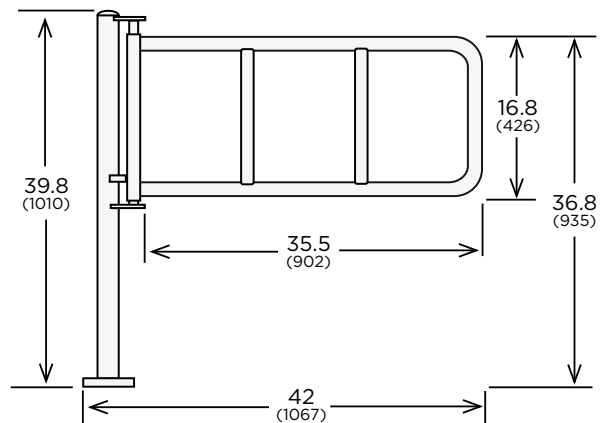


### RESOURCES

Alvarado's knowledgeable staff understands that many customers do not deal with pedestrian gates on a regular basis. We offer assistance and technical expertise to ensure the best solution is selected for your facility.

Additional information, including detailed specifications, installation manuals, CAD drawings, and application images can be found online.

### DIMENSIONS



Dimensions shown in inches (mm). All measurements are approximate.