

Typically used with post and rail systems, Alvarado's SSG is a waist high self-closing security gate that offers a passage width of approximately 36 inches.

SSG gates may be installed independently or in conjunction with Alvarado waist high turnstiles.

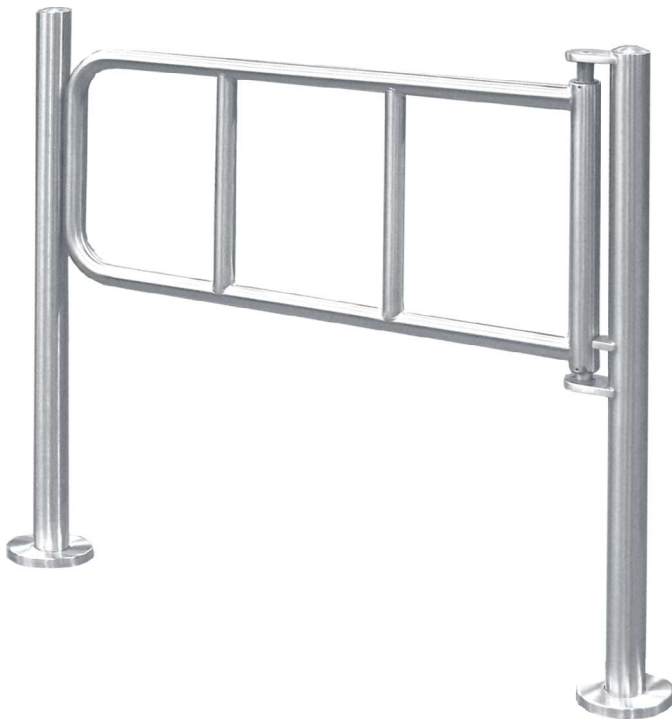
Engineered for durability, the SSG includes fully welded stainless steel construction, and a closure mechanism that self-closes the gate after passage.

The standard gate without locks (SSG) may be ordered as a single or bi-directional gate.

Single direction, electric lock gates are also available (SSGX). This model comes with an electric strike lock and easily integrates with virtually any access control or identification system.

Other options for the SSG(X) include an extended 42" gate arm assembly for applications requiring a wider passage width.

Available finishes include satin stainless steel and durable powder coat in a variety of colors.



- **Heavy Duty Gravity Closure Mechanism**
- **Durable Design**
- **Single or Bi-Directional Configuration**
- **Standard & Electric Models Available**

SecurMAR

833 Shannon Drive | Crown Point, IN 46307

Phone: 219-661-8964 | Fax: 219-661-8965 | sales@securmar.com

DESCRIPTION

PRODUCT NAME

SSG - waist high security gate

APPLICATIONS

Standard SSG - Often used in conjunction with post and rail systems - single or bi-directional.

Electric SSGX - Offers single direction access with electric lock control. May be integrated with access control systems.

PRODUCT FEATURES - Mechanical

Materials and Operation

- Heavy gauge materials meeting appropriate ASTM standards
- Fully welded stainless steel gate arm assembly
- Latch and hinge posts are constructed of tubular stainless steel with all welds ground smooth
- Self closing
- Gate posts secure to the floor with four anchor bolts

Finishes

- #304 stainless steel polished to a #4 satin finish
- Baked on color powder coat

PRODUCT FEATURES - Electrical

Electric

- Primary power is stepped down and rectified for low voltage 12 VDC operation
- 120 VAC input step down transformer is included

Electric Locks/Activation

- Reliable electric strike lock mechanism is used on all SSGX gates
- Capable of integrating with virtually any access control system
- Gate is activated (unlocked) when power is removed
- Gate relocks after gate arm closes and power is restored
- Standard SSGX operates in a "Fail Safe" mode with gate automatically unlocking during loss of power

SSG(X) OPTIONS

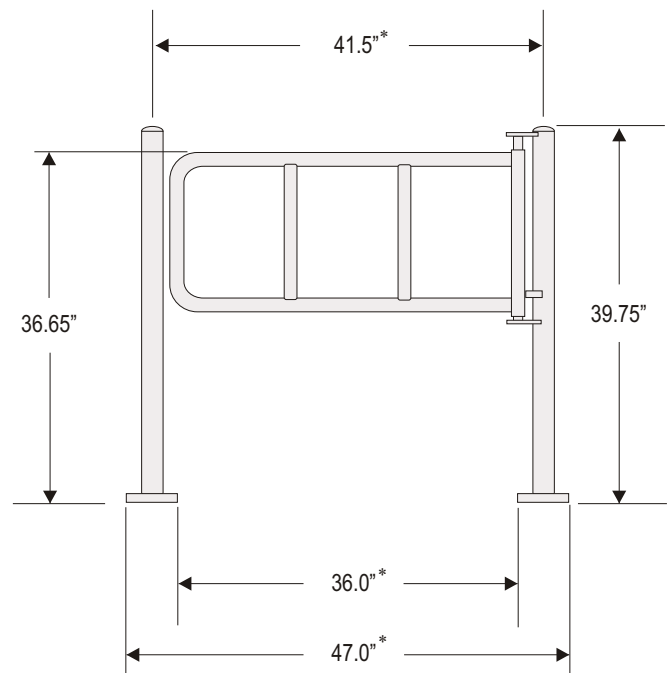
Remote Activation - Push button or key switch provides an "unlock" signal from remote location.

Fail Lock Electric Strike Lock - This option replaces the standard fail safe SSGX configuration, with a fail lock electric strike lock. When configured with the fail lock option, the SSGX gate will remain locked during a loss of power.

WARRANTY

Alvarado's standard one-year written warranty applies to all products.

SSG(X) Dimensions



* NOTE: Dimensions may vary slightly depending on locking mechanism used.