

# SUPERVISOR 3000

## BARRIER ARM OPTICAL TURNSTILE

### Model SU3000-SM / SU3000-LG

ALVARADO MFG. Co.

The Supervisor 3000 combines motorized retracting barrier arms with optical technology to provide secure bi-directional access control. Designed for integration with an access control system, the SU3000 provides the flexibility of three operational modes.

In *normally closed mode*, the barrier arms are "up". When a valid ID is presented, a pleasant chime sounds and a green arrow icon illuminates in the direction of travel. The barrier arms smoothly retract then reset upon passage.

In *normally open mode*, the barrier arms are retracted and "pop up" only when passage is attempted without presentation of a valid ID.

In *optical mode*, the unit operates as a barrier-free optical turnstile, alarming when passage is attempted without presentation of an ID card.

The SU3000 has state-of-the-art electronics including multiple sensors, adjustable tailgate sensitivity and alarm duration, plus crawl detection.

Mechanically, the high quality motors controlling the turnstile arms complete a raising or lowering cycle in less than 1/2 second. Safety features include emergency arm retraction and presence detection within the arm retraction field.

The turnstile functionality and operational modes can be controlled using Alvarado's optional PC based GateKeeper software, allowing all installed SU3000 turnstiles to be configured, monitored and administrated from a single PC.

The sleek design of the SU3000 is suitable for upscale facilities. Each unit incorporates a recessed base, attractive satin stainless steel cabinet, and a lid constructed from acrylic resin with black or clear finish anodized aluminum end pieces.

Alternative materials and finishes are also available, including cabinets constructed from various fine woods, with quartz or marble lids.



- **Suitable for Upscale Installations**
- **Bi-Directional Control**
- **Easy Installation and Systems Integration**
- **Multi-Lane Cabinet Configurations Available**

SecurMAR

833 Shannon Drive | Crown Point, IN 46307

Phone: 219-661-8964 | Fax: 219-661-8965 | sales@securmar.com

ALVARADO SECURITY

ALVARADO

# SUPERVISOR 3000

## BARRIER ARM OPTICAL TURNSTILE

### Model SU3000-SM / SU3000-LG

#### PRODUCT NAME

Supervisor 3000 Small / Supervisor 3000 Large - Barrier Arm Optical Turnstile

#### APPLICATIONS

Indoor bi-directional optical access control with motorized barrier arms.

#### PRODUCT FEATURES

##### Electric

- 110 VAC input stepped down and rectified for low voltage 24 VDC, 12 VDC & 5 VDC operation
- Maximum power consumption is 250 watts per lane

##### Barrier Arm Modes

- Normally Closed - Arms open to allow passage in authorized directions, otherwise arms remain closed
- Normally Open - Arms close when unauthorized passage is attempted, otherwise turnstile arms remain open
- Barrier Disabled - Arms remain open at all times

##### Safety

- Fail safe operation opens barrier arms upon loss of power
- Emergency breakaway feature allows barrier arms to be broken away in a vertical direction during an emergency
- Safety sensors prevent arms from closing on personnel or objects

##### Activation Inputs

- Separate momentary dry contact inputs are available via terminal strip to activate "passage allowed" and "passage denied" for both directions of operation
- A momentary dry contact input is provided for alarm reset
- Sustained dry contact inputs are available to open or close a turnstile passage direction, select barrier arm mode, or open barrier arms for fire alarm or other life safety system

##### Output Signals

- Separate feedback signals are provided for authorized and unauthorized passages, aborted entry, and violation alarms
- Output signals are available via terminal strip as isolated momentary dry contact, allowing integration with remote alarms, electric door locks, CCTV or other devices

##### Card Reader / Illuminated Status Display

- Accepts internally mounted small form factor proximity card readers (*customer supplied - contact Alvarado for list of compatible readers*)
- Flush mount turnstile/reader status displays are provided to prompt users for both directions of travel - yellow icon indicates turnstile and reader are ready for card presentation
- Illuminated green arrow icon shows that card has been accepted and passage is allowed
- Red stop icon is illuminated when card has been rejected indicating that passage is denied

##### Built-In Violation Alarm

- Unauthorized entries cause a local alarm to sound for adjustable duration ranging from 2 to 8 seconds, or until manually reset
- Sensors are able to detect individuals attempting to "tailgate" directly behind an authorized user, or who attempt to crawl through the turnstile to avoid detection
- Alarm also sounds if one or more sensors becomes obstructed

#### PRODUCT FEATURES (continued)

##### Open / Closed Lights

- Large Green/Red LED indicators flush mounted within cabinet end panels show open/closed status of lanes

##### Adjustable Aborted Entry Reset Timer

- Turnstile resets after a "time-out" period if an authorized passage does not occur - time-out period is adjustable

##### Adjustable Tailgate Sensitivity

- Allowable minimum distance between users (or objects) passing through the turnstile may be adjusted

#### PRODUCT SELECTION

Standard cabinets are stainless steel polished to a #4 satin finish. Recessed base is black satin powder coat. Cabinet lids consist of a center piece constructed from Samsung Staron® acrylic resin in Sanded Onyx, plus two anodized aluminum end pieces. Base units consist of two cabinets. Single expansion cabinets with the same dimensions as a base unit cabinet may be added as needed for multi-lane configurations.

#### PRODUCT OPTIONS

**Rejection Beeper** - A beeper indicates that an "unauthorized" card has been presented.

**Horizontal Breakaway** - Arm "breaks away" in direction of travel (horizontally) when pressure is applied to turnstile arm.

**GateKeeper PC Based Software** - Allows configuration, monitoring and administration of multiple SU3000 units from a single PC. Provides log of all configuration/override activity.

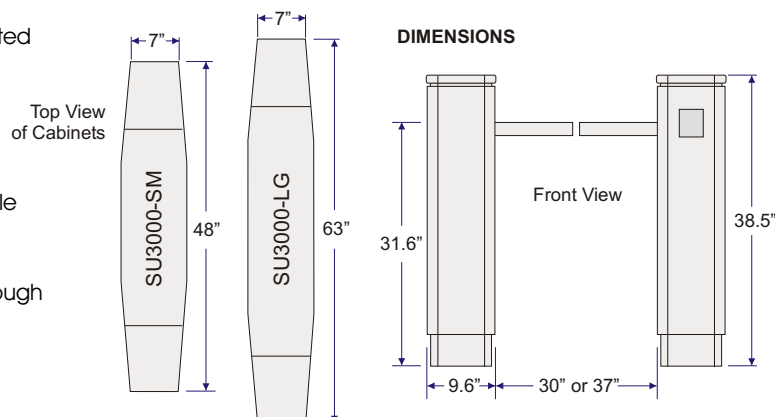
**Open / Closed Lane Overrides** - Key override installed on turnstile or remotely, allows operators to "open" or "close" one or both directions of passage. Separate overrides required for each direction of passage.

**Alternative Cabinet Materials and Finishes** - Cabinets may be constructed from a variety of fine hardwoods or commonly available laminate materials.

**Alternative Lid Colors and Materials** - Center lid pieces may be ordered in alternate colors of Samsung Staron® acrylic, as well as Dupont Zodiaq® quartz material. Natural marble is also available.

#### WARRANTY

The Supervisor 3000 is warranted for 18 months from the date of shipment against defects in materials or workmanship.



PDS1035R1-8

**ALVARADO MANUFACTURING COMPANY, INC.**

12660 Colony Street, Chino, California 91710 • Phone: 800.423.4143 • Fax: 909.628.1403 • Phone: 909.591.8431 [www.alvaradomfg.com](http://www.alvaradomfg.com)