

Alvarado's VMG waist high security gates are designed to operate independently or in conjunction with Alvarado's waist high turnstiles.

The attractively styled VMG provides a comfortable patron passage width that accommodates wheelchairs.

Designed to operate independently or in conjunction with Alvarado's waist high turnstiles, VMG gates are solidly constructed from fully welded rectangular stainless steel. All gates include a kick plate and self-closing mechanism.

Single direction gates include a hydraulic dampener to minimize slamming during closure.

The standard model without locks (VMG) may be ordered as a single or bi-directional gate.

Single or bi-directional electrically locking gates that easily integrate with virtually any access control system are also available (VMGX). Single direction gates (VMGX) utilize a magnetic lock. Bi-directional models use a shear lock.

Available finishes include satin stainless steel and durable powder coat in a variety of colors.



- ***Wheelchair Accessible***
- ***Attractive Design***
- ***Single or Bi-Directional Configuration***
- ***Standard & Electric Lock Controlled Models***

ALVARADO

833 Shannon Drive | Crown Point, IN 46307

Phone: 219-661-8964 | Fax: 219-661-8965 | sales@securmar.com

DESCRIPTION

PRODUCT NAME

VMG - waist high security gate

APPLICATIONS

Standard VMG - Often used in conjunction with post and rail systems in facilities needing wheelchair access.

Electric VMGX - Offers single or bi-directional access with electric lock control. Easily integrated with virtually any type of access control system.

PRODUCT FEATURES - Mechanical

Materials and Operation

- Heavy gauge materials meeting appropriate ASTM standards
- Fully welded steel gate arm assembly
- Latch and hinge posts are constructed of rectangular steel with all welds ground smooth
- Steel kick plate welded to gate arm assembly
- Self closing
- Slam resistant hydraulic dampener
(Single direction units only)
- Gate posts secure to the floor with four anchor bolts

Finishes

- #304 stainless steel polished to a #4 satin finish
- Baked on color powder coat

PRODUCT FEATURES - Electrical

Electric

- Primary power is stepped down and rectified for low voltage 12 VDC operation
- 120 VAC input step down transformer is included

Electric Locks/Activation

- Single direction VMGX gates use an electrically controlled magnetic lock
- Bi-directional VMGX gates utilize a shear lock
- Gate is activated (unlocked) when power is removed
- Gate relocks after gate arm closes and power is restored
- VMGX gates operate in a "Fail Safe" mode with gate unlocking upon loss of power

Time Delay Relock (Bi-directional gates only)

- By default, the gate relocks 6 seconds after gate arm closes and centers on latch post

VMG(X) OPTIONS

Panic Bar - Electric push-release bar opens gate for emergency exit.

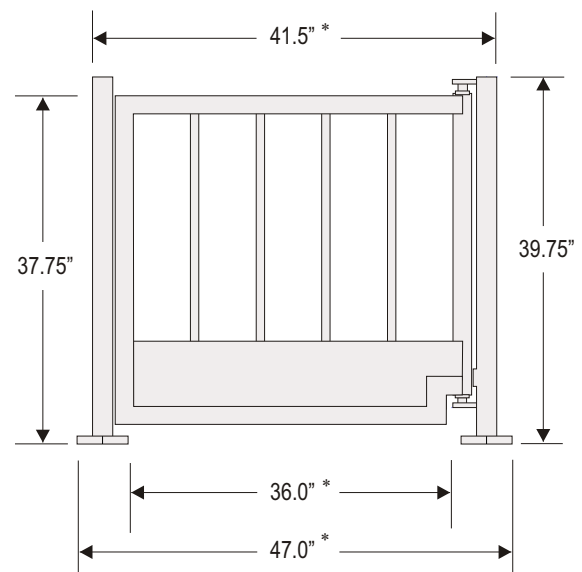
Remote Activation - Push button or key switch provides an "unlock" signal from remote location.

Gate Status Relay - Allows the VMGX to be configured for remote monitoring of gate open/closed status. (Standard feature on bi-directional gates, available as an option for single direction gates.)

WARRANTY

Alvarado's standard one-year written warranty applies to all products.

VMG(X) Dimensions



* NOTE: Dimensions may vary slightly depending on locking mechanism used.